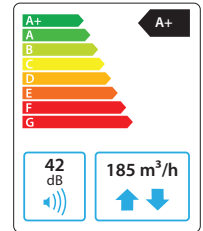


Domekt CF 200 F C8

Maximal air flow, m ³ /h	185
Maximal air flow, l/s	51
Reference flow rate, m ³ /s	0,036
Reference pressure difference, Pa	50
SPI, W/(m ³ /h)	0,21
Thermal efficiency of heat recovery, %	88
Electric air heater capacity, kW / Δt, °C	0,5/11,3
Supply voltage, V	1~230
Maximal operating current HE, A	3
Electric power input of the fan drive at maximum flow rate, W	41
Electric power input of the fan drive at reference flow rate, W	13
Filters dimensions BxHxL, mm	250x232x46
Unit dimensions BxHxL, mm	560x294x1100
Maintenance space, mm	300
Unit weight, kg	28



Acoustic data

A-weighted sound power level L_{WA} , dB(A) at reference flow rate

Supply inlet	50
Supply outlet	61
Exhaust inlet	50
Exhaust outlet	61
Casing	42

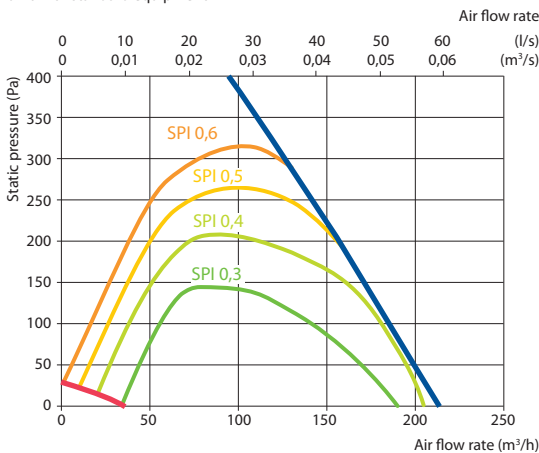
A-weighted sound pressure level L_{PA} , dB(A)

10 m² normally isolated room, distance from casing – 3 m.

Surroundings	31
--------------	----

Performance

Unit with standard equipment

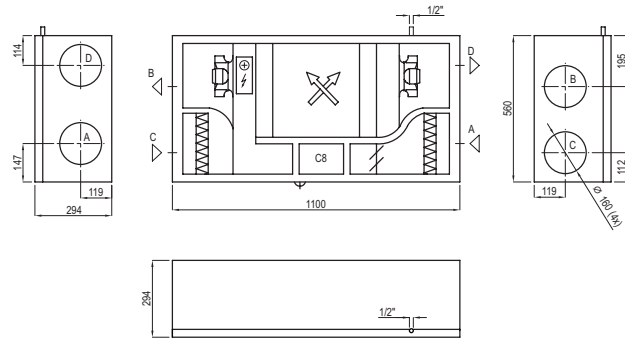


Temperature efficiency

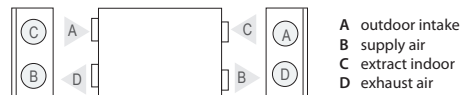
	Winter					Summer		
Outdoor temperature, °C	-23	-15	-10	-5	0	25	30	35
After heat exchanger, °C	17,4	18	18,4	18,8	19,4	22,4	22,9	23,5

indoor +22°C, 20 % RH

Shown as left (L1)



Shown as right (R2)



Mounting positions



Accessories

Closing damper	AGUJ-M-160+LF230/CM230
Silencer	A/D AGS-160-50-600-M
	B/C AGS-160-50-900-M
Water heater	DH-160
PPU	PPU-HW-3R-15-0,4-W2

2-way valve (heater)	VVP47.10-0,25
Water cooler	DCW-0,2-1
2-way valve (cooler)	VVP47.10-1,6
Outdoor grill	LD-160
Water heater-cooler	DHCW-160

