

UNI 4 Ventilasjonsaggregat



Air handling unit suitable for larger residential and smaller commercial buildings.



- Temperature efficiency in the heat recovery system up to 85%.
- Specific fan power (SFP) in the ventilation system lower than 1.5.
- Extremely quiet.
- Simple to operate, change filters and maintain.
- Provides balanced ventilation with an extremely good indoor climate.
- Option of communication by Modbus.
- Modern design.
- Efficient and reliable – even in the cold.

	GTIN	Model
700060	7023677000602	UNI 4 RER right model, EC fans, with electric element
700061	7023677000619	UNI 4 REL left model, EC fans, with electric element
700062	7023677000626	UNI 4 R R right model, EC fans, without element
700063	7023677000633	UNI 4 R L left model, EC fans, without element

Technical data

		UNI 4 RE with electric battery	UNI 4 R
POWER	Rated voltage (AC 50 Hz)	230 V	230 V
	Frequency	50 Hz	50 Hz
	Fuse size	10 A	10 A
	Rated current	7,2 A	2,1 A
	Rated power, total	1 655 W	355 W
	Rated power, max. electric battery	1 300 W	-
	Rated power, fans	175 W x 2	175 W x 2
	Rated power, rotor motor	3 W	3 W
VENTILATION	Fan type	B-wheel	B-wheel
	Fan motor control	0-10 V	0-10 V
	Max. fan speed RPM	2 930	2 930
	Automatic control, standard	CU60	CU60
	Filter class	ePM1 55% (F7)	ePM1 55% (F7)
	Filter type (supply air/extract air)	Compact filter	Compact filter
DIMENSIONS	Filter dimensions (WxHxD)	459x207x31 mm	459x207x31 mm
	Kitchen fan connection	Ø 125 mm	Ø 125 mm
	Weight, ventilation unit	86 kg	86 kg
	Weight, rotor	14 kg	14 kg
	Weight, door	13 kg	13 kg
	Weight, fan	5 kg	5 kg
	Duct connection	Ø 160 mm	Ø 160 mm
	Height	700 mm	700 mm
	Width	900 mm	900 mm
COATING	Colour	White	White
	RAL	9016	9016
	Gloss	25-35	25-35

Energy class:



CTRL 0.65

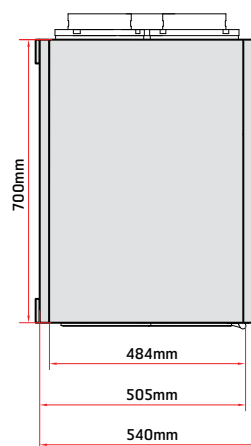
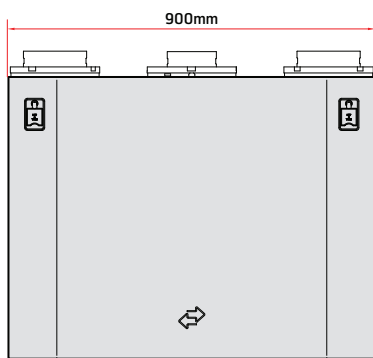
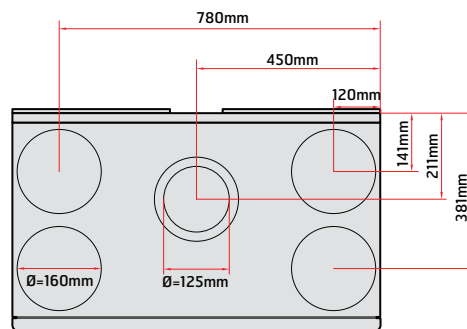
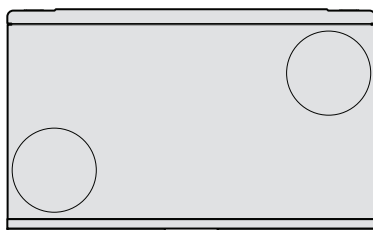
LOCAL DEMAND CONTROL

Sensor control for different zones

Accessories: App + CO₂ sensor/
motion sensor + damper

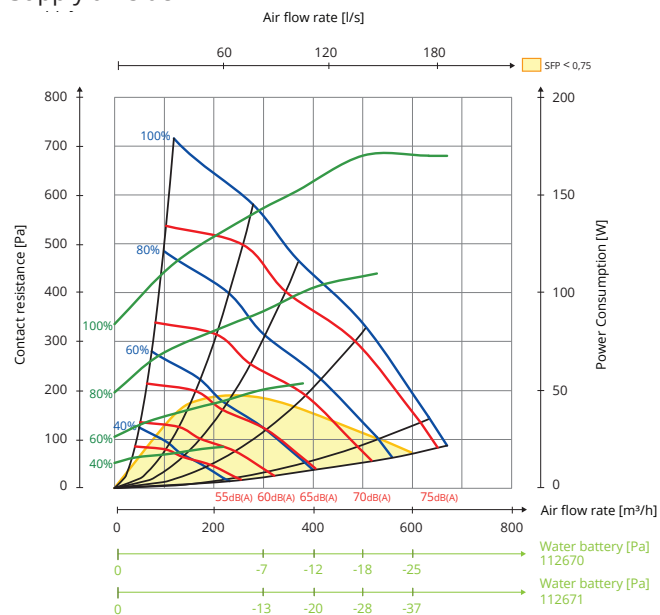
Result: Increased air flow rate in
zones that need it

Dimensioned drawing

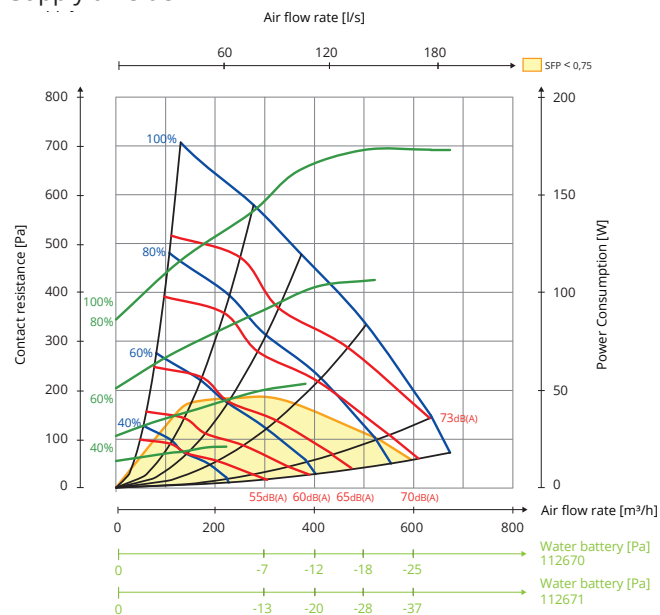


Capacity and sound data

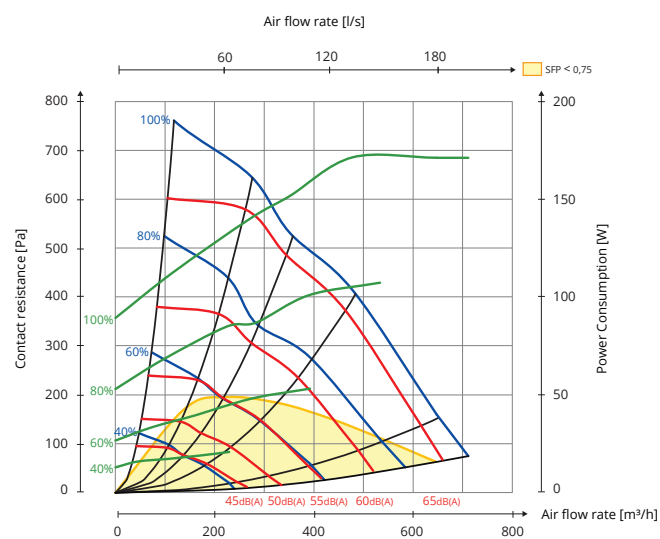
Supply air side L



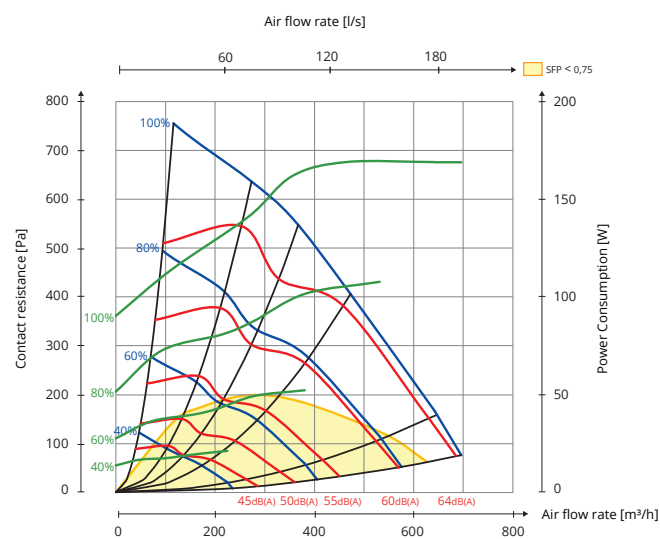
Supply air side R



Extract air side L



Extract air side R



Correction factor for Lw L

Hz	63	125	250	500	1000	2000	4000	8000	LwA
	Lw(dB)	Lw(dB)	Lw(dB)	Lw(dB)	Lw(dB)	Lw(dB)	Lw(dB)	Lw(dB)	(dBA)
Supply air	5	7	3	-4	-8	-11	-23	-23	
Extract air	7	8	4	-2	-10	-21	-31	-31	
Radiated	-19	-19	-16	-32	-38	-39	-46	-47	-24

Correction factor for Lw R

Hz	63	125	250	500	1000	2000	4000	8000	LwA
	Lw(dB)	Lw(dB)	Lw(dB)	Lw(dB)	Lw(dB)	Lw(dB)	Lw(dB)	Lw(dB)	(dBA)
Supply air	5	9	2	-3	-9	-11	-23	-25	
Extract air	9	9	2	-1	-12	-25	-34	-31	
Radiated	-17	-17	-14	-30	-36	-37	-43	-45	-22

Explanation of diagram

Sound data is stated as the sound output level LwA in the capacity diagrams (these are for sound to the duct). These values can be corrected by means of the table for the different octave bands if it is wished to look at Lw (without adaptation to A band).

The correction table for the various octaves is stated in Lw, which means that the Lw values are after conversion of each octave for supply air and extract air.

Radiated sound from the unit must be calculated from the supply air diagram.

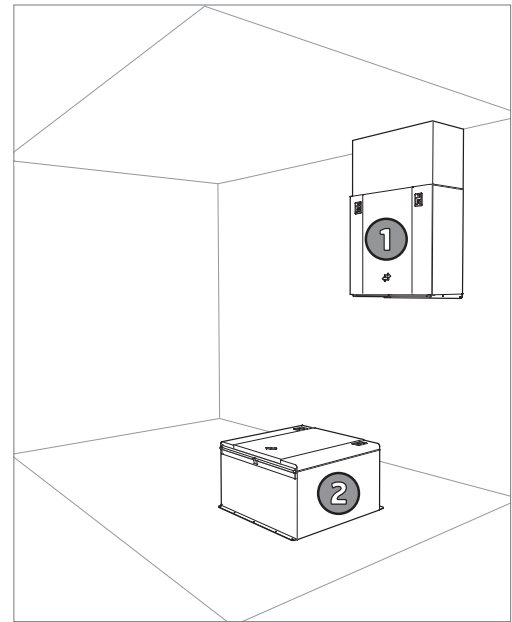
Position

The unit can be installed in the following ways:

1. On a wall (vertically and laterally). In this case the enclosed wall bracket is used for installation. Duct covers are available as accessories.
2. On the floor (for both vertical and horizontal units), for the sake of noise and vibrations, absorption feet should be used. Flexit offers suitable absorption feet as accessories (product code 110955).

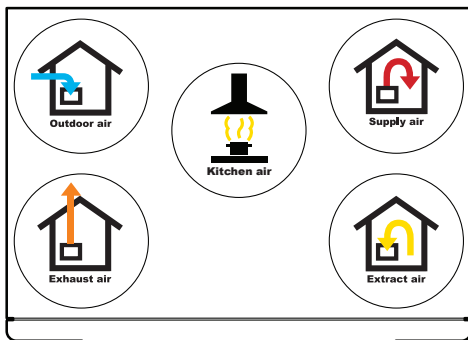
The unit is available in both left and right versions, depending on what best matches the duct location.

They can be located in a cold zone such as the loft.

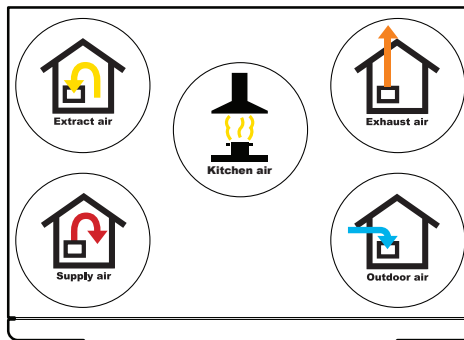


Duct location

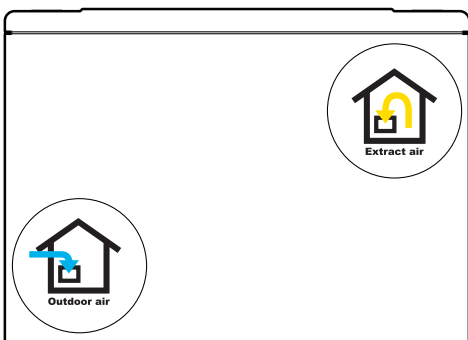
Left-hand model top



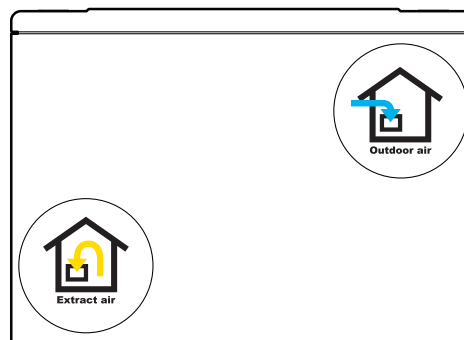
Right-hand model top



Left-hand model bottom



Right-hand model bottom



For more information on topics including installation, wiring diagrams and accessories, see www.flexit.com



Flexit participates in the ECP programme for RAHU.
Check ongoing validity of certificate:
www.eurovent-certification.com

